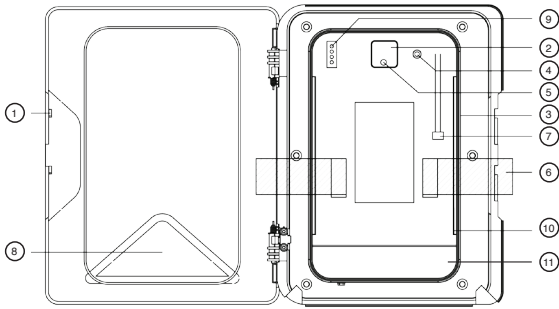


QUICK START GUIDE:

AQ-DM-5UBT DIGITAL MEDIA LOCKER™

LOCATION OF CONTROLS



- | | |
|---------------------------------------|---------------------------------------------|
| 1. Open/Close Latch & Protective Door | 6. Security Strap for digital media devices |
| 2. Power ON/OFF Button | 7. USB Connector |
| 3. Water/Dust Protection Inner Gasket | 8. Door Control Keypad |
| 4. 3.5mm Aux Input for MP3 Devices | 9. LED Mode Indicator |
| 5. Power ON/OFF LED | 10. Back lighting |
| | 11. Cable Storage Tray |

TURN POWER ON/OFF

Press the on/off button.

Red Light: Power to the docking station is ON, but the unit is in standby mode.

Blue Light: The unit is powered ON and looking for an audio source.

REMOTE SYNCHRONIZING

1. Turn the Digital Media Locker to off mode with the power button inside the door. The LED should not be illuminated.
2. Press the red (POWER) button on the remote.
3. Press and hold the (MODE) button until the LCD reads PAIR.
4. Continue to press and hold the (MODE) button during step 5 below.
5. Turn the docking station to standby mode (within 10 seconds) with the on/off button inside door (the red LED will illuminate and then turn blue).
6. The remote's LCD should read WELCOME or show a mode position such as RADIO, USB, BT or AUX IN.

i If the pairing process is not effective, switch the locker off using the on/off button located inside the door of the dock. Unplug the 12-pin Harness on the back of the Locker for 3 minutes. Reattach the Harness and repeat steps 1-6 above.

i If the LCD displays "NO LINK" in either mode, this means the remote is out of reception range. Move the remote closer to the Locker and try again.

ADJUSTING VOLUME

1. Press (VOLUME UP) once to increase the volume by 3 decibels.
2. Press (VOLUME DOWN) once to reduce the volume by 3 decibels.
3. Press and hold either or and the Digital Media Locker will increase or decrease audio volume continuously.

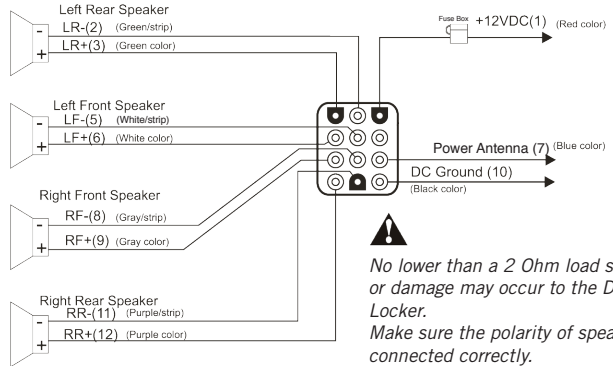
LISTEN TO FM RADIO

1. Press (MODE) on remote control to switch to FM radio mode.
2. Press (FAST REWIND) or (FAST FORWARD) to automatically seek to another station.
3. Press and hold either (FAST REWIND) or (FAST FORWARD) for manual tuning back or forward.

12-PIN HARNESS CONNECTION

The AQ-DM-5UBT includes the universal harness AQ-UNH-2 in order to connect the dock to power and speakers.

All open wire connections should be soldered and protected against water and dust for best long term performance.



PAIR WITH BLUETOOTH

1. Switch on your Bluetooth device.
2. Select 'AQUATIC AV' from the list of available devices to pair (no password is needed).

LISTEN VIA BLUETOOTH

1. Bluetooth mode will be activated once a Bluetooth device is linked.
2. Play the song from device and the sound will play through the Digital Media Locker.
3. Press (PLAY/PAUSE) to play/pause the song.
4. Press / (FAST REWIND/FORWARD) buttons to play previous/next song file.
5. Track and volume can be controlled directly from your Bluetooth device, remote control or door controls.

LISTEN VIA USB

1. Power up the Digital Media Locker
2. Attach your device to the USB cable inside the Digital Media Locker using the appropriate USB adaptor.
3. Secure the device with the anchor straps provided.
4. Secure the Digital Media Locker's protective door.
5. Press (POWER) on the remote control or Power button on the locker to turn it ON.
6. Press (MODE) on the remote control to select USB mode. Use the buttons as shown in the remote function chart.

SWITCH BETWEEN US & EURO FM MODES

1. Make sure dock and remote are turned on and in 'RADIO' mode.
2. Press the AUDIO button 6 time in a row.
3. The remote will display 'AREA USA' or 'AREA EUR' depending on which tuning mode is currently selected.
4. Use the and buttons to switch between US or European modes.
5. Press (PLAY/PAUSE) to select the desired tuning mode.
6. Once you switch modes it will default to the FM station stored in 'PRE-SET'.

i US mode will increase and decrease the FM frequency in steps of 0.1 MHz, e.g. 88.5, 88.6, 88.7 MHz. EUR mode will increase and decrease the FM frequency in steps of 0.05 MHz, e.g. 88.25, 88.30, 88.35 MHz.